



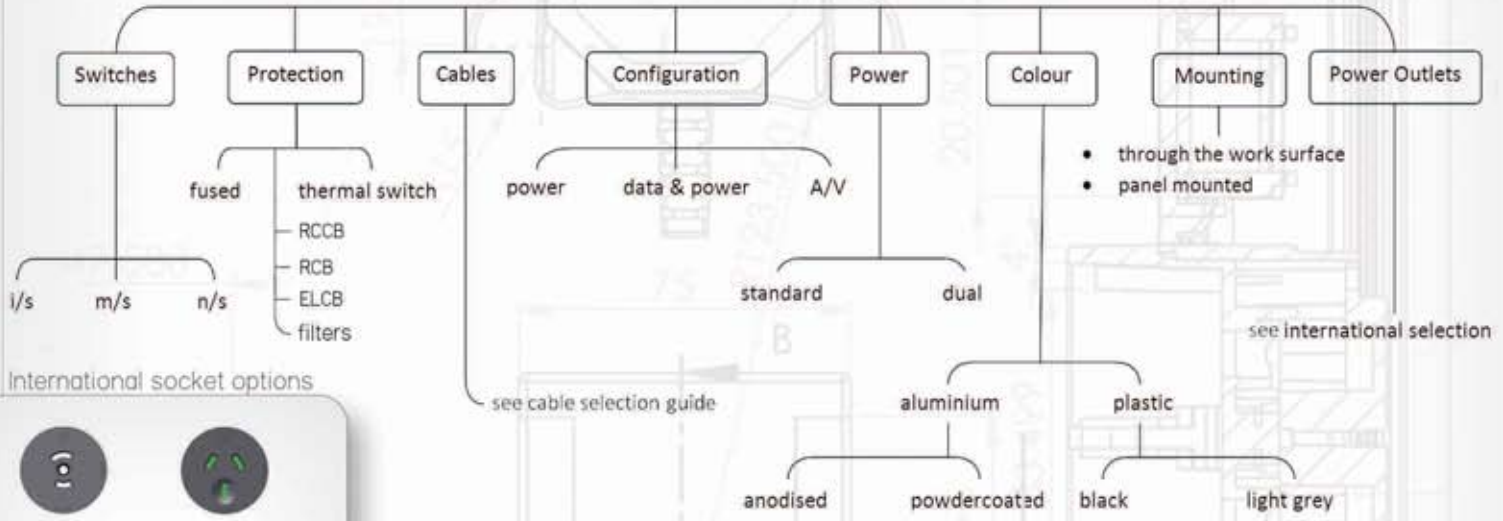
This modular aluminium-based workstation power outlet system, allows the user to customise according to the number of power, voice/data, switches and protection devices (fuses, circuit breakers, filters etc) the client requires, as well as the bespoke layout and configuration. The housing is also available in a variety of finishes and colours.

The Omega has been designed as a cost effective, in-desk mounted solution available in standard power, dual power or hybrid power options. Power protection modules or dual voltage systems can be incorporated into these if required.

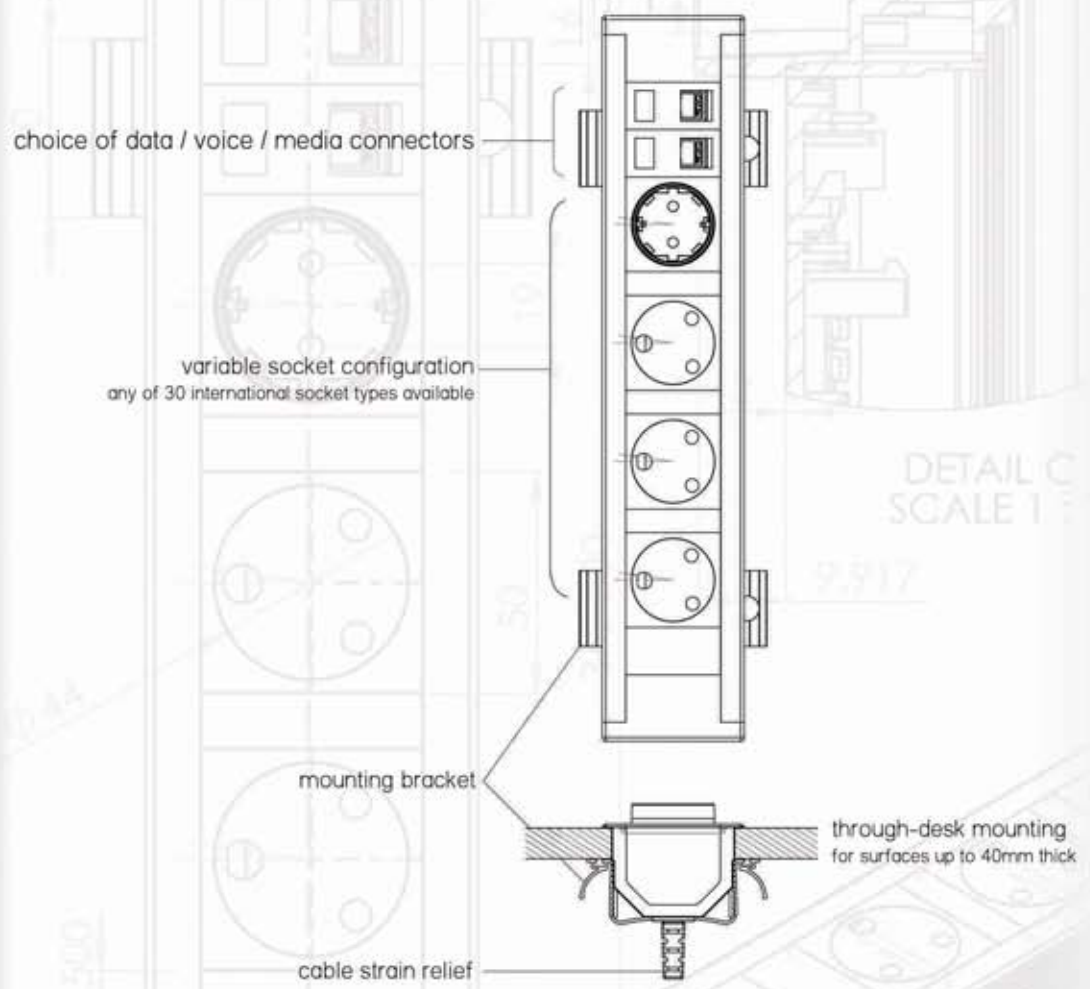
All units are available in a variety of finishes including various anodised and epoxy powder coated shades.

Features

- Available with modular protection devices (power filters, circuit breakers, earth leakage devices)
- Modular - any combination of power and/or communication outlets available
- Any of 30 different international socket types can be fitted to these units
- The selection of 23 different angles of orientation of each socket (certain local regulations limit options in some instances)
- Can be supplied with two or more circuits in one unit
- Hybrid power (power and data in one unit)
- Robust aluminium housing



International socket options



Dimensions

Length: variable (depending on configuration chosen)
Width: 67mm (2.64") excluding top rim, (77mm including rim)
Height: 50mm (1.96")

Technical Info

Operating Voltage: *110V - 250V AC 50/60 Hz
Current: *15-20A
Max Power: *1500 - 4800 W

*Local electrical regulations determine electrical rating of the system

