

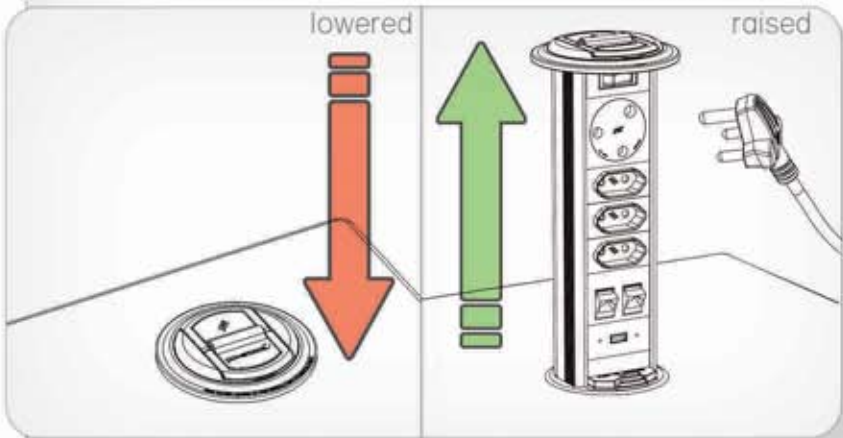
The SOHO is an elegant and versatile solution to small and home office cabling management. The sleek design features ports for USB and data connections, as well as 3 x 2 pin sockets and 2 x 3 pin sockets, making it perfect for any professional workspace.

When not in use, the unit is stored below the work surface, out of the way. When power is needed, the unit simply slides up and locks into position by means of a unique locking clip.

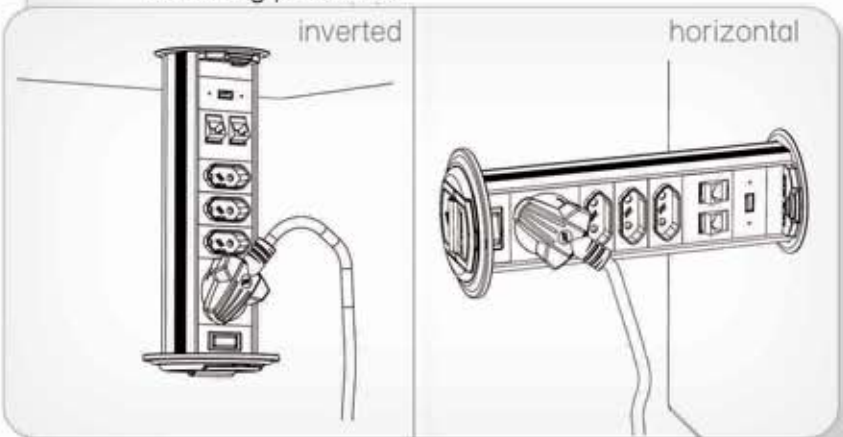
The PowerDock SOHO combines all aspects of a work environment into one simple and effective product, clearing up cable clutter and tangles. Mounted vertically, horizontally, or even inverted, the PowerDock can be fitted to any workstation with ease.

Not in use

In use



Mounting positions



Features

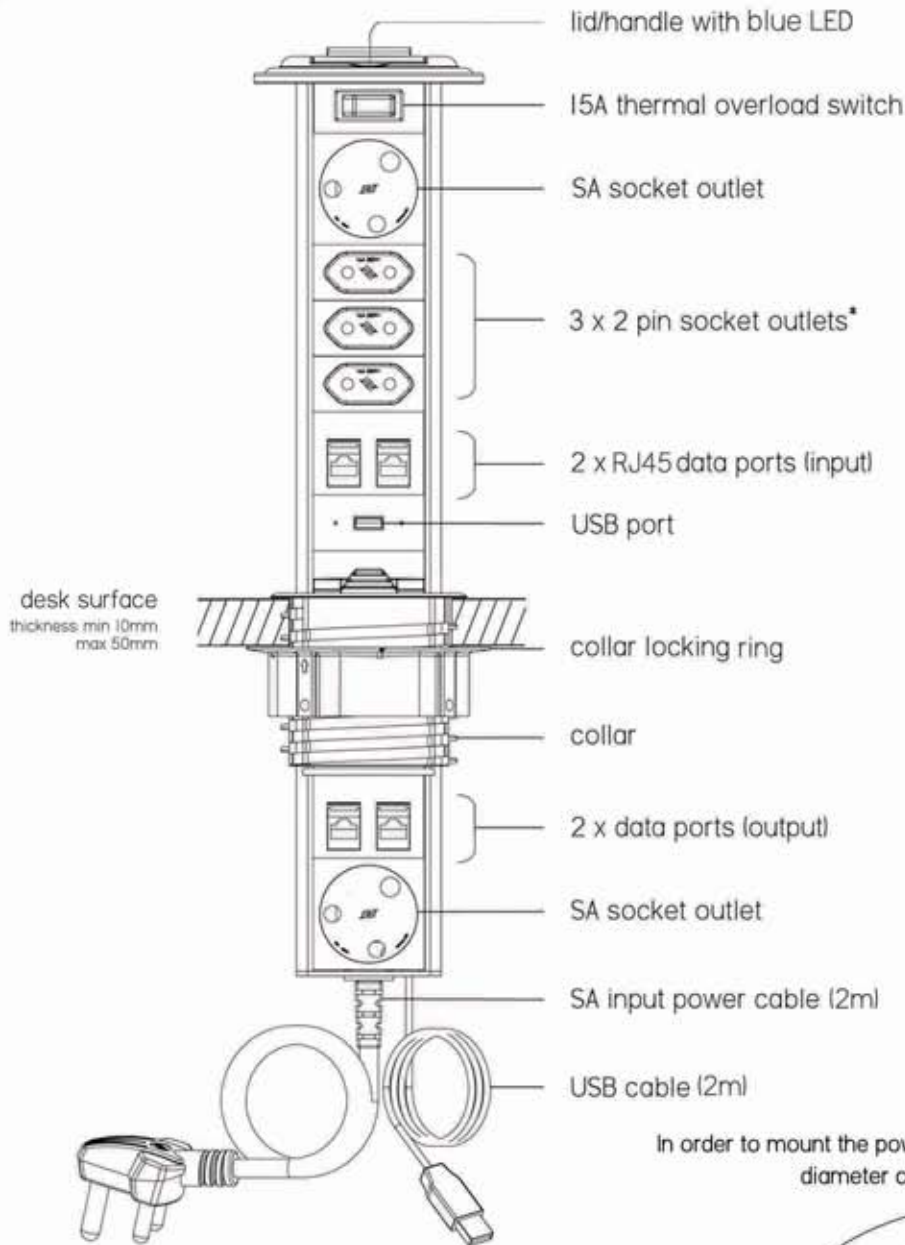
- 2 x data and a USB port, simplifying networking ●
- Splashproof when in the stowed position ●
- Ambient blue LED power indicator/illumination ●
- Sleek, user-friendly design ●
- All sockets are shuttered for safety ●
- Robust aluminium and ABS construction ●
- Easy installation, requiring minimal space ●
- Below-surface socket for under desk equipment ●
- Built-in overload trip switch rated at 15A ●



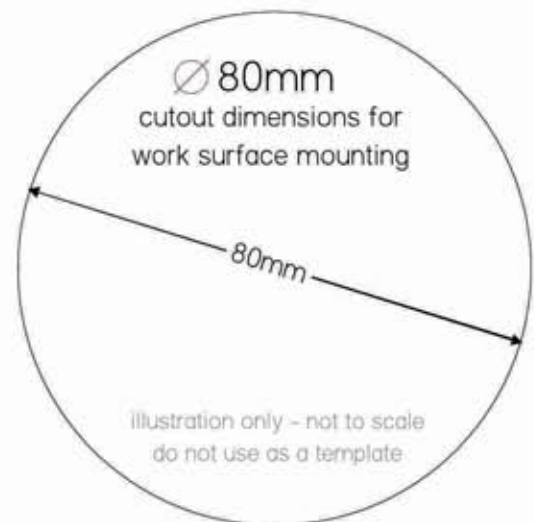
ambient blue LED



powerDOCK SOHO.™



In order to mount the powerdock into a work surface, an 80mm diameter cutout needs to be made



IMPORTANT NOTICE

The PowerDock has a protection rating of IP54 (category 2) in accordance with BS EN60529:1992 when in the retracted position only. This prevents any water ingress into the PowerDock from splashing water and also provides dust protection. Care should be taken to prevent the possibility of liquid ingress during use. The PowerDock should be connected to a power supply with an earth leakage device.

The PowerDock is designed and manufactured in South Africa to the highest international standards and has been tested and certified in Europe, the US, Canada, Australia, New Zealand, and others pending.

Specifications are subject to change without prior notice. Use only in accordance with the manufacturer's instructions. In case of doubt, consult with manufacturer prior to use.

Copyright 2009 PowerLogic SA (Pty) Ltd. All Rights Reserved

For more information contact PowerLogic SA
tel: +27 21 704 1450 fax: +27 21 704 1424
info@powerlogic.co.za
www.powerlogic.net

powerDOCK S0H0™

Operating Voltage: 220V - 250V AC 50 Hz
Current: 15A
Max Power: 3000 W

*2 pin sockets rated at 10A

For installation instructions, refer to website: www.powerlogic.net