

PowerDock is the perfect power solution for kitchens, home offices, dressingtables, garage workbenches, TV cabinets and other home environments where convenient and easy access to power is required, but without messy cable clutter.

This stylish, concealed power outlet system, with six power sockets (3 x 3pin and 3 x 2pin), can be mounted vertically, horizontally, or even inverted. It neatly retracts into the mounting surface when not in use. When you want to connect your power cables, simply pull it up or down and it automatically locks into position, ready for use.

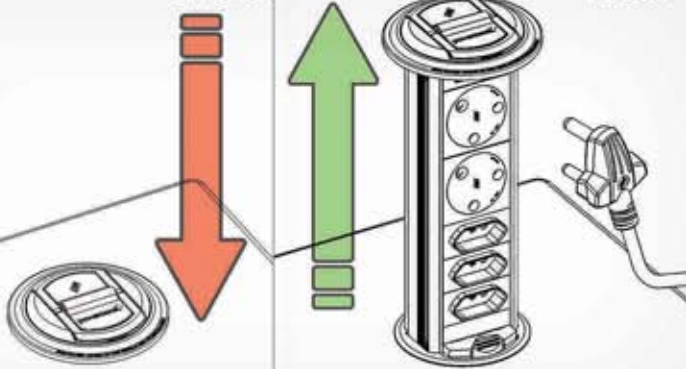


Not in use

In use

lowered

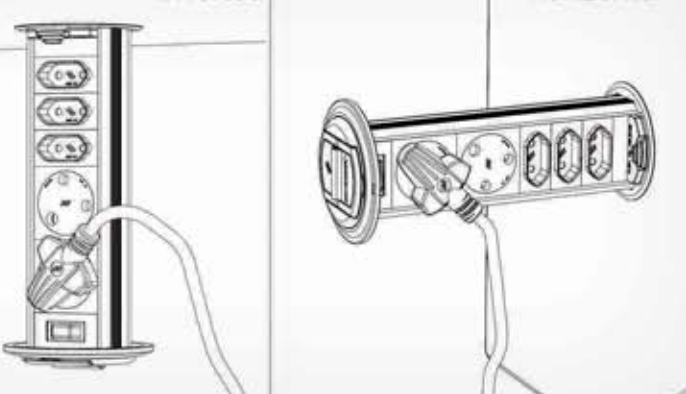
raised



Mounting positions

inverted

horizontal

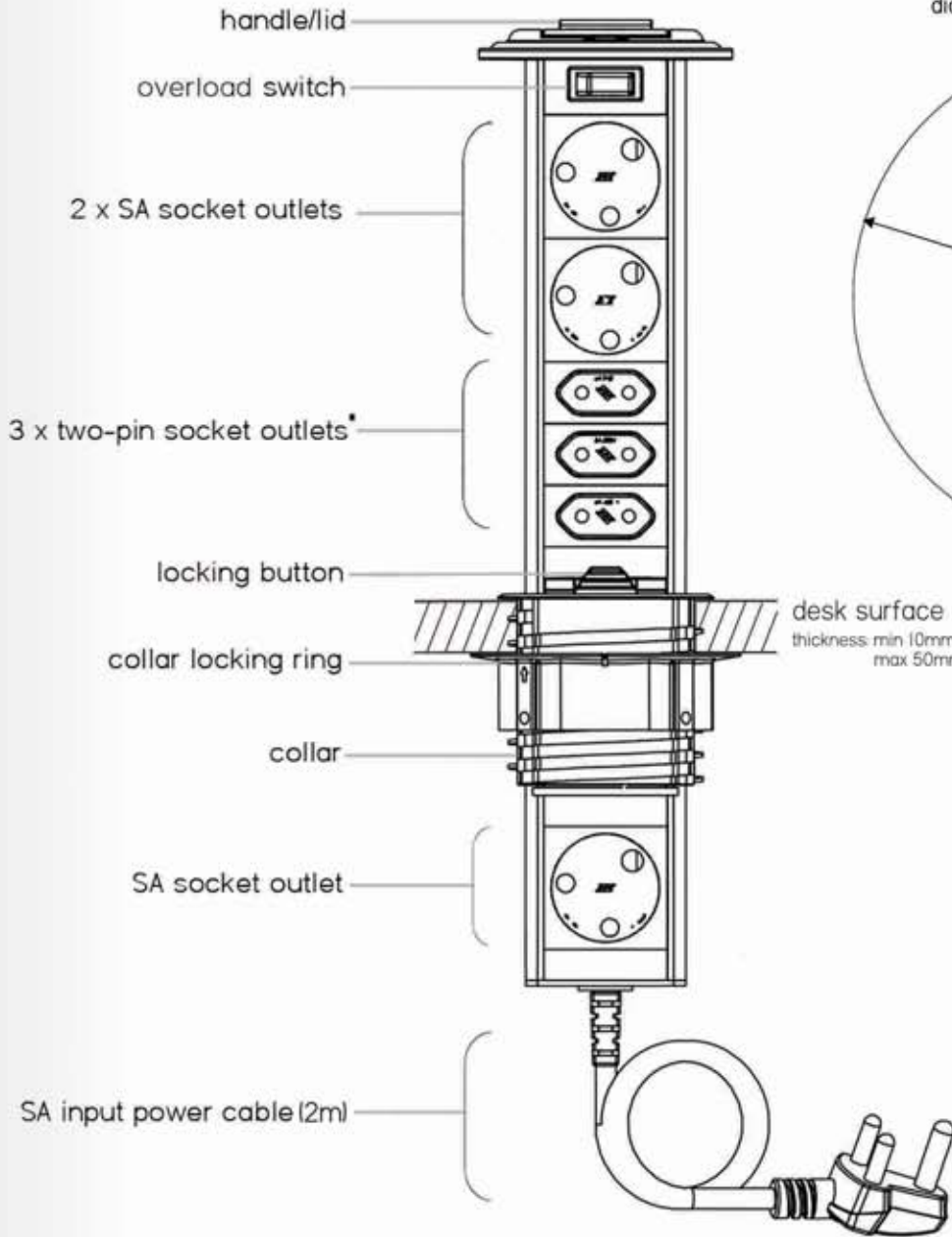


Features

- Liquid-proof seal (splash protection)
- User-friendly with shuttered socket outlets
- Easy installation
- Robust aluminium construction
- Built-in overload trip switch rated at 15A
- 24 month guarantee (subject to standard warranty conditions)
- Below surface socket for undercounter appliances

powerDOCK™
there when you need it

In order to mount the powerdock into a work surface, an 80mm diameter cutout needs to be made



colour options



black and silver



champagne and sand

IMPORTANT NOTICE

The PowerDock has a protection rating of IP54 (category 2) in accordance with BS EN60529:1992 when in the retracted position only. This prevents any water ingress into the PowerDock from splashing water and also provides dust protection. Care should be taken to prevent the possibility of liquid ingress during use. The PowerDock should be connected to a power supply with an earth leakage device.

The PowerDock is designed and manufactured in South Africa to the highest international standards and has been tested and certified in Europe, the US, Canada, Australia, New Zealand, and others pending.

Specifications are subject to change without prior notice. Use only in accordance with the manufacturer's instructions. In case of doubt, consult with manufacturer prior to use.

SABS approval # ML/102283

Copyright 2006 PowerLogic SA (Pty) Ltd. All Rights Reserved

For more information contact PowerLogic SA
 tel: +27 21 704 1450 fax: +27 21 704 1424
info@powerdock.co.za
www.powerdock.co.za



 there when you need it

Operating Voltage: 220V - 250V AC 50 Hz
 Current: 15A
 Max Power: 3000 W

*2 pin sockets rated at 10A

For installation instructions, refer to website: www.powerdock.co.za