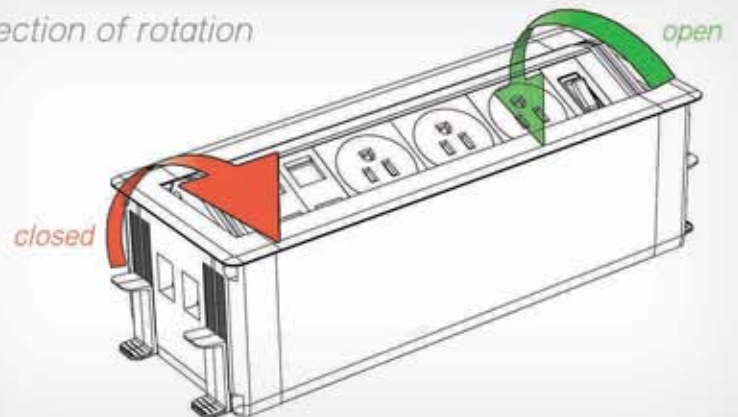




direction of rotation



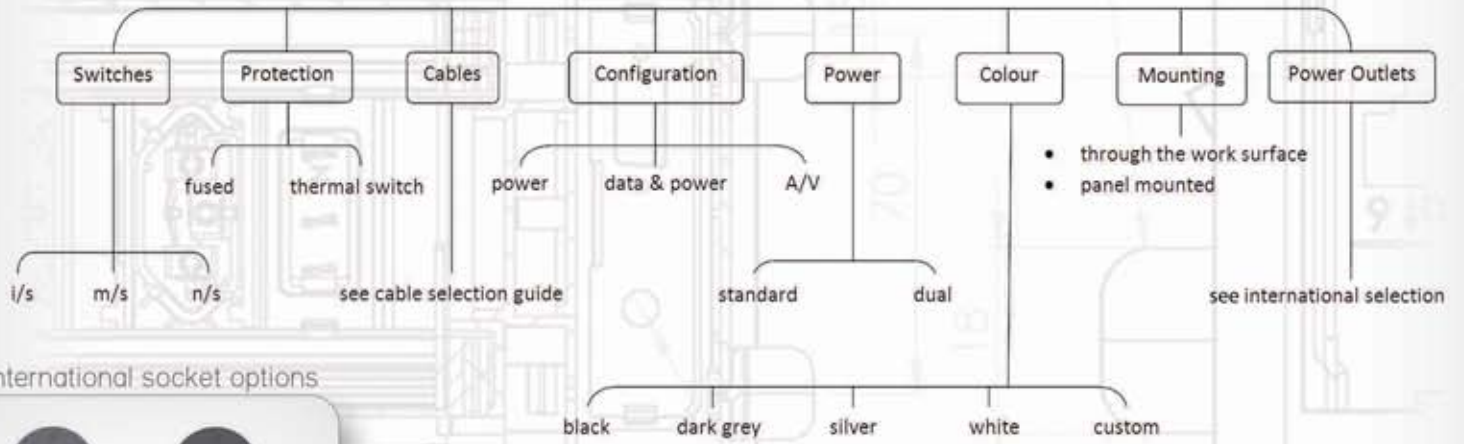
The ElectroDock is a horizontal, flush-mounting power box, that opens and closes using electronic touch controls. The functional and elegant aesthetics will complement the most discerning office environment.

With its very low profile, the unit sits almost flush with the work-surface when closed, but revolves to a slightly raised position when ready for use, reducing the risk of spilt-liquid ingress.

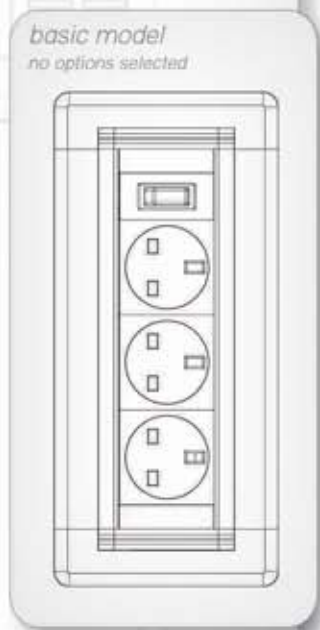
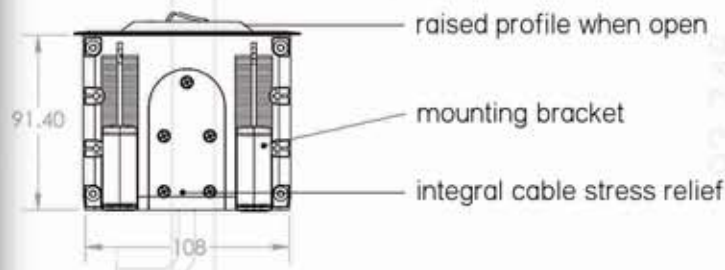
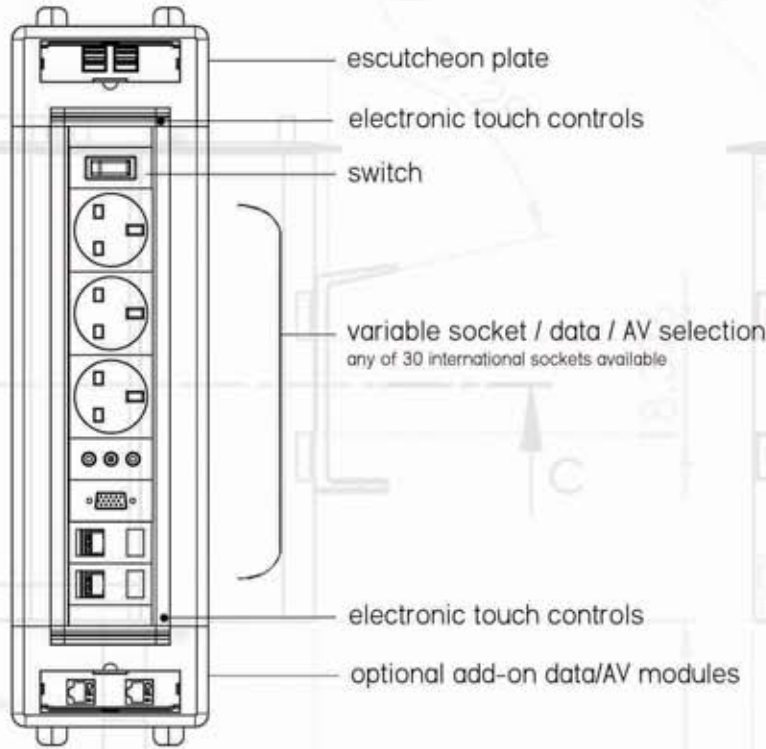
The ElectroDock has an obstruction detection feature, indicated by the LED's flashing in a particular colour and sequence. In the event of an obstruction, the unit will immediately stop and reverse back to the opposite position with the LED's in a steady (blue) state.

## Features

- Raised above work-surface to reduce spilt-fluid ingress when open.
- Easy installation - simple and effective ratchet mounting system.
- Touch controlled electronic operation (also available in manual).
- Additional modules for data/media/USB etc are available.
- Almost flush with work-surface when closed.
- Obstruction detection safety features.
- LED status indicators.



International socket options



**Electrical:**  
 • Operating Voltage: \*110V - 250V AC 50/60 Hz  
 • Current: \*15-20A  
 • Max Power: \*1500 - 4800 W

\*Local electrical regulations determine electrical rating of the system