

The unique design gives Novus it's character.

Starting with the front face which is specially rounded to be in line with the Minimodule power unit.

We have also designed the data cartridge in the same shape to create a serene uniform look.

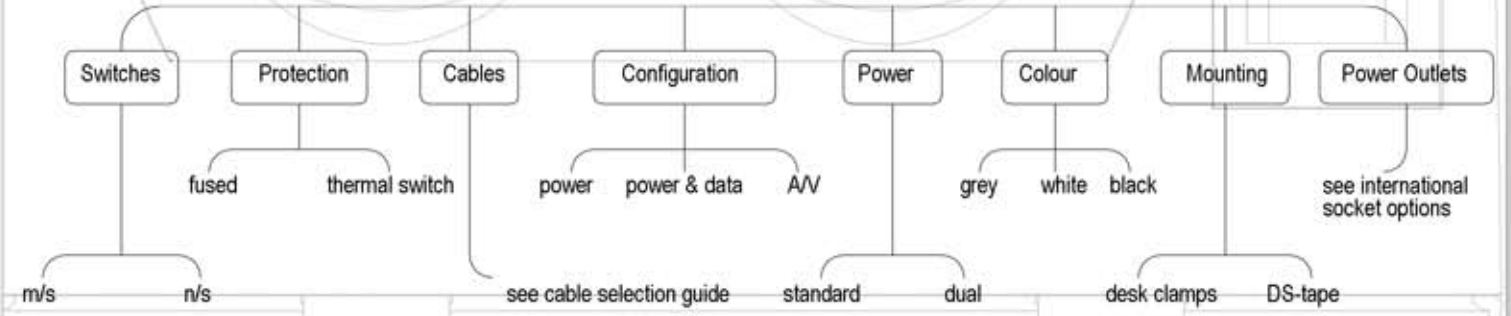
The back of the unit is designed to hide the cables so they can go directly into a cable tray or raceway.

On the side we have chosen to create an edge that covers and protects the cables, so no cables will be seen from the side. With these features, there are no more cables visible from any side of the unit.

Viewing from the side and the back it is clear that the top has been made at a 45 degrees angle, this gives the unit an even smaller look, without the normal box like shape generally found on the market.

## Features

- Novus is one of the smallest units on the market for power and data
- Design fits modern office needs
- The power outlets can be supplied with any socket of the world
- Choice of Non Switched, Master Switched or Individually Fused.
- RJ45 jack of any type, Panduit, Avaya/Lucent, IBM, Nordex, Keystone etc.
- Possibility of hard-wiring directly from the comms-room.
- 45mm, providing a strong fixation to the desk without any screwing, drilling or cutting.



International socket options



45° mounting angle

desk clamp mounting

optional switch or fusebox

selection of international sockets available

cartridge for data or AV options

**Dimensions**  
 Length: 200mm (7.87")  
 Width: 66mm (2.60")  
 Height: 68mm (2.68")

**Electrical**  
 Operating Voltage: \*110-250V AC 50/60 Hz  
 Current: \*15-20A  
 Max Power: \*1500-4800 W  
 \*Local electrical regulations determine electrical rating of the system